

HiTECH

Technologies, Inc.

Through-the-Wall "PAD" Presence-Absence Detector

Model PAD-101

*Non-Intrusive Through-the-Wall
Frequency Shift Sensing Technology*

IDEAL FOR:

- ◆ Pharmaceuticals
- ◆ Chemicals
- ◆ Food & Beverages
- ◆ OEM's
- ◆ Power Generation
- ◆ Corrosive Liquids
- ◆ Pulp & Paper
- ◆ Water Treatment



ADVANTAGES

Through-the-Wall Measurement

Wall thickness up to 1" (plastic)

Easy Installation

Functions on any plastic vessel

Maintenance Free

Nothing contacts the liquid

Mounting

External bolt on clamp

Compact Rugged Construction

NEMA 6 enclosure

The **HiTECH PAD** *Through-the-Wall* sensor is a presence-absence switch that detects the presence of materials based on a frequency shift of the sonic signal it applies through the media.

The **PAD** is mounted external to the plastic tank or pipe and located at the point where the detection of the media is required.

The **HiTECH PAD** is the ideal sensor for overflow prevention and/or run-dry protection for your tank or pump.

HiTECH Technologies, Inc.

301 Oxford Valley Road, Yardley, PA 19067-7706

Technical support: 800. 755. 4507

Tel: 215. 321. 6012 Fax: 215. 321. 6067 - www.hitechtech.com

HITECH

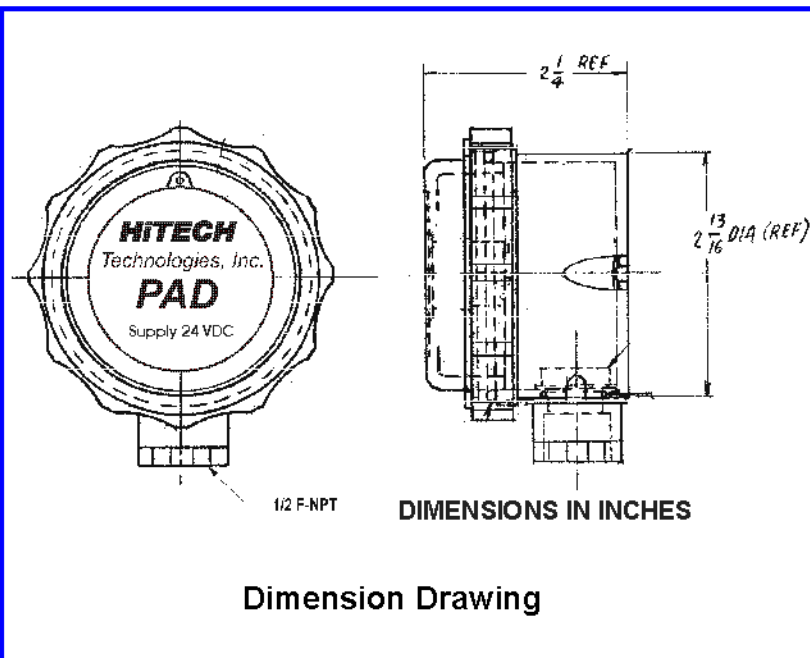
Technologies, Inc.

Through-the-Wall "PAD" Presence-Absence Detector

Model PAD-101

SPECIFICATIONS

Type Non-Intrusive Through-the-Wall Frequency Shift Sensing Technology	Output NPN or PNP Optional: SPDT 1.25A, 250 VAC	Mounting Clamp-on saddle (For pipes 1" diam & up) Glue-on (For tanks & large pipes)
Repeatability 0.08" to 0.2" (depending on wall thickness)	Power Supply DC: 12 ... 36 V	Temperature range +14 to +135 °F (-10 to +75 °C)
Self Optimization Microprocessor based LED status indication	Consumption 1 watt	Housing NEMA 6 (IP 67)



PERFORMANCE GUARANTEE

Since 1986, every instrument sold by **HITECH** has been guaranteed to perform in the application it originally was engineered and recommended for. Our company policy remains the same, every product sold comes with a written performance guarantee.

Should the equipment be unable to perform satisfactorily in your application and we are not able to correct the problem, we will accept the instrument in return and issue full credit.

This performance guarantee is valid for 60 days. Thereafter, our standard limited two years factory warranty goes into effect.

HITECH Technologies, Inc.

301 Oxford Valley Road, Yardley, PA 19067-7706

Technical support: 800. 755. 4507

Tel: 215. 321. 6012 Fax: 215. 321. 6067 - www.hitechtech.com

Copyright HITECH Technologies, Inc. 2003