

# **HiTECH**

Technologies, Inc.

## **ALL Stainless Steel Process Pressure - Level Transmitter**

**Piezo Resistive Sensing Technology**

Model 8000-SAN

**Durable "ALL Stainless Steel" Transmitter**

### **IDEAL for**

- ◆ **Breweries**
- ◆ **Chemicals**
- ◆ **Food Processing**
- ◆ **Pharmaceuticals**
- ◆ **Power Plants**
- ◆ **Pulp & Paper**
- ◆ **Water & Wastewater**



### **ADVANTAGES**

#### **Mounting**

**1-1/2" NPT**

#### **Durable Flush Diaphragm**

**Laser Welded**

#### **Span Ranges**

**from 1.5 psi to 735 psi**

#### **No moving parts**

#### **Easy to Install**

#### **Maintenance free**

#### **Intrinsically Safe (option)**

**CENELEC, EEx ia IIC T4**

The Series 8000-SAN are solid state pressure - level transmitter incorporating a fully temperature compensated piezo resistive sensor and a robust flush mounted diaphragm.

Designed to be non-clogging and suitable for harsh process environments, they fully meet the requirements of a wide variety of processing industries.

All versions are CENELEC approved for Intrinsically Safe applications (optional).



### **HiTECH Technologies, Inc.**

301 Oxford Valley Road, Yardley, PA 19067-7706

Technical support: 800. 755. 4507

Tel: 215. 321. 6012 ~ Fax: 215. 321. 6067 ~ [www.hitechtech.com](http://www.hitechtech.com)

# HiTECH

Technologies, Inc.

## ALL Stainless Steel Process Pressure - Level Transmitter

Model 8000-SAN

### SPECIFICATIONS

#### Type

Piezo Resistive Sensing  
Technology continuous level

#### Power Supply

13 to 40 VDC

#### Measuring Ranges

from 1.2 psi to 735 psi

#### Output Signal

4-20mA, 2-wire

#### External Load

550 Ohms @ 24 VDC

#### Sensor (wetted parts)

316 stainless steel

#### Adjustment

zero and span internally

#### Temperature

Process -4 °F to +212 °F

Ambient -4 °F to +158 °F

#### Electronic Housing

304 stainless steel

#### Accuracy

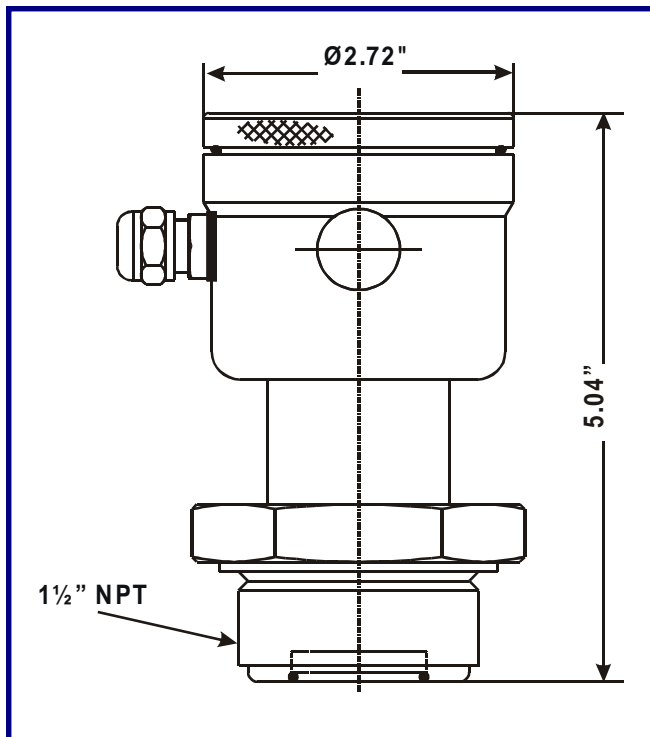
± 0.2% of adjusted span

#### Temp. Sensitivity

± 0.015%/°K

#### Mounting

1-1/2" NPT



### PERFORMANCE GUARANTEE

Since 1986, every instrument sold by **HiTECH** has been guaranteed to perform in the application it originally was engineered and recommended for. Our company policy remains the same, every product sold comes with a **written performance guarantee**.

Should the equipment be unable to perform satisfactorily in your application and we are not able to correct the problem, we will accept the instrument in return and issue full credit.

This performance guarantee is valid for 60 days. Thereafter, our standard limited two years factory warranty goes into effect.



Copyright HiTECH Technologies, Inc. 1999

### HiTECH Technologies, Inc.

301 Oxford Valley Road, Yardley, PA 19067-7706

Technical support: 800. 755. 4507

Tel: 215. 321. 6012 Fax: 215. 321. 6067 www.hitechtech.com