

HiTECH

Technologies, Inc.

Sanitary Clean In Place Pressure - Level Transmitter

Piezo Resistive Sensing Technology

Series 8000-SAN

Durable "ALL Stainless Steel" Transmitter

IDEAL for

- ◆ **Biotech**
- ◆ **Bottling**
- ◆ **Breweries**
- ◆ **Dairies**
- ◆ **Food Processing**
- ◆ **Pharmaceuticals**



ADVANTAGES

3-A Sanitary Standard

Process Connections Include:

- Hygienic Weld-on Nipple (shown in photo)
- Tri-Clamp - [1", 1-1/2", 2"]
- Milkcoupling
- Flange [All sizes]

Wetted Materials - 316 L (Standard)

Hastelloy C, Titanium, or Tantalum (Available)

Durable Flush Diaphragm

Laser Welded

Span Ranges

from 1.2 psi to 735 psi

No Moving Parts

Easy to Install

Maintenance Free

The Series 8000-SAN family of Pressure - Level Transmitters incorporate a fully temperature compensated piezo resistive sensor and a strong, durable flush mounted diaphragm.

Designed to be non-clogging and well suited for clean-in-place service, they are the ideal choice for the food, beverage, biotech, pharmaceutical, and chemical industries. To satisfy a broad range of application requirements, a variety of process connections and wetted materials are available.

All versions are available CENELEC approved Intrinsically Safe.



HiTECH Technologies, Inc.

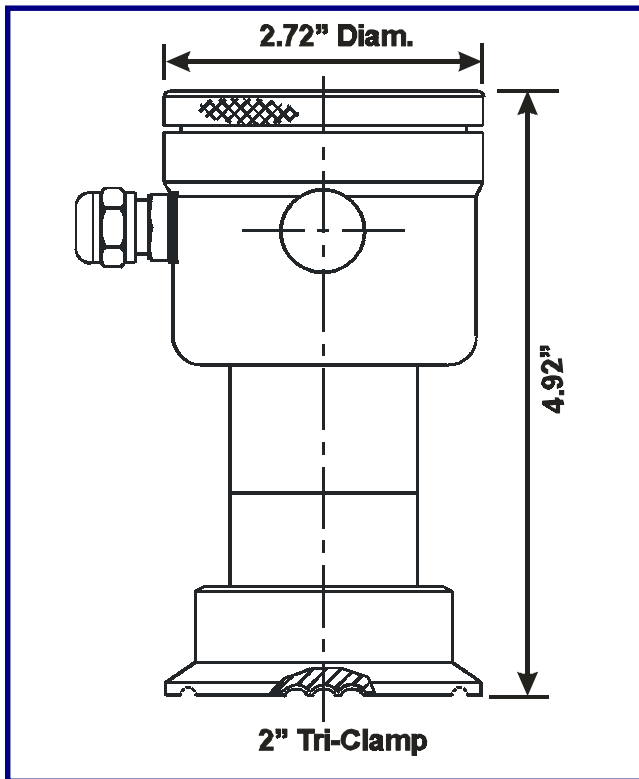
301 Oxford Valley Road, Yardley, PA 19067-7706

Technical support: 800. 755. 4507

Tel: 215. 321. 6012 ~ Fax: 215. 321. 6067 ~ www.hitechtech.com

SPECIFICATIONS

Type Piezo Resistive Sensing Technology Continuous Level	Power Supply 13 to 40 VDC	Measuring Ranges from 1.2 psi to 735 psi
Output Signal 4-20mA, 2-wire	External Load 550 Ohms @ 24 VDC	Sensor (wetted parts) 316 stainless steel
Adjustment zero and span internally	Temperature Process -4 °F to +212 °F Ambient -4 °F to +158 °F	Electronic Housing 304 stainless steel
Accuracy ± 0.2% of adjusted span	Temp. Sensitivity ± 0.015%/°K	Mounting Various Process Connections (Drawing of Tri-Clamp Mtg.)



PERFORMANCE GUARANTEE

Since 1986, every instrument sold by **HiTECH** has been guaranteed to perform in the application it originally was engineered and recommended for. Our company policy remains the same, every product sold comes with a **written performance guarantee**.

Should the equipment be unable to perform satisfactorily in your application and we are not able to correct the problem, we will accept the instrument in return and issue full credit.

This performance guarantee is valid for 60 days. Thereafter, our standard limited two years factory warranty goes into effect.

