

HiTECH

Technologies, Inc.

SMART All Stainless Steel Pressure - Level Transmitter

Pressure Sensing Technology

Intelligent "ALL Stainless Steel" Transmitter

Model 2000 series

IDEAL for

- ◆ Chemicals
- ◆ Food & Beverages
- ◆ Pharmaceuticals
- ◆ Pulp & Paper
- ◆ Water & Wastewater



ADVANTAGES

EASY CALIBRATION

- no test pressure needed
- 3 push button adjustment
- hand held terminal compatible

PROCESS CONNECTIONS

- More than 40 Configurations
(Photo shows 1-1/2" NPT)

ACCURACY $\pm 0.1\%$

SPANS AVAILABLE

- from 0.6 psi up to 3,000 psi

NO MOVING PARTS

SIMPLE INSTALLATION

MAINTENANCE FREE

INTRINSICALLY SAFE (option)

CENELEC, EEx ia IIC T4

The Series 2000 SMART Pressure - Level Transmitters are solid state intelligent transmitters that provide a standard analog output (4 -20 mA), a local digital display and optional HART protocol or PROFIBUS-PA interfaces.

The display can indicate pressure/level in selectable engineering units. Process temperature can also be displayed.

All versions are available Intrinsically Safe, CENELEC approved.



HiTECH Technologies, Inc.

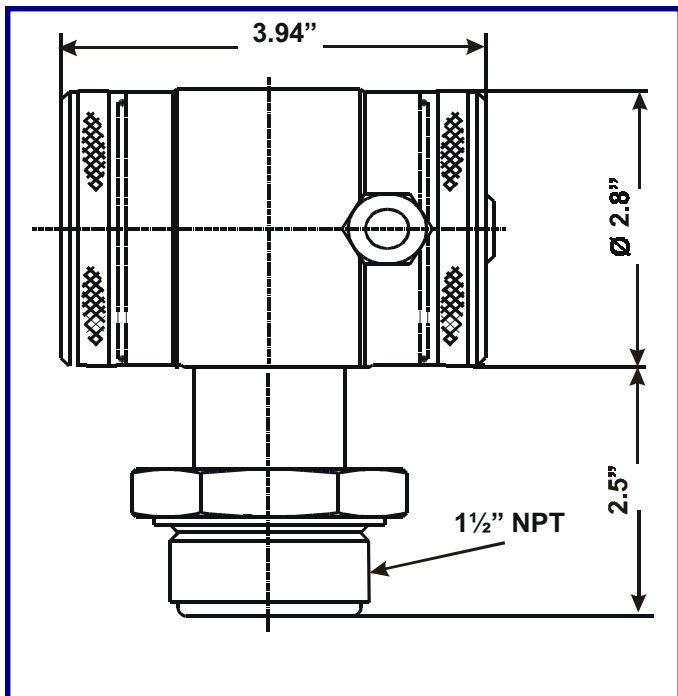
301 Oxford Valley Road, Yardley, PA 19067-7706

Technical support: 800. 755. 4507

Tel: 215. 321. 6012 ~ Fax: 215. 321. 6067 ~ www.hitechtech.com

SPECIFICATIONS

<p>Type Intelligent Piezo Resistive Sensing Technology Continuous Pressure/Level</p> <p>Output Signal 4-20mA / 2-wire HART protocol (option) PROFIBUS-PA (option)</p> <p>Adjustment By 3 pushbuttons or H.H.T. (hand held terminal)</p>	<p>Accuracy $\pm 0.1\%$</p> <p>Temperature Process -4 °F to +212 °F Ambient -4 °F to +158 °F</p> <p>Temp. Sensitivity $\pm 0.015\%/^{\circ}\text{K}$</p> <p>Power Supply 12 to 40 VDC</p> <p>External Load 600 Ohms @ 24 VDC</p>	<p>Ranges Available from 0.6 psi up to 3000 psi</p> <p>Sensor (wetted parts) 316 stainless steel</p> <p>Electronic Housing 304 stainless steel</p> <p>Mounting more than 40 different process connection configurations available</p>
--	---	---



PERFORMANCE GUARANTEE

Since 1986, every instrument sold by **HiTECH** has been guaranteed to perform in the application it originally was engineered and recommended for. Our company policy remains the same, every product sold comes with a **written performance guarantee**.

Should the equipment be unable to perform satisfactorily in your application and we are not able to correct the problem, we will accept the instrument in return and issue full credit.

This performance guarantee is valid for 60 days. Thereafter, our standard limited two years factory warranty goes into effect.



Copyright HiTECH Technologies, Inc. 1999