

# **HiTECH**

Technologies, Inc.

## **NivoSwitch** Intelligent SHORTIE Level Switch

### *Intelligent Vibration Sensing Technology*

*combines frequency & amplitude sensing  
for delivering unprecedented performance*

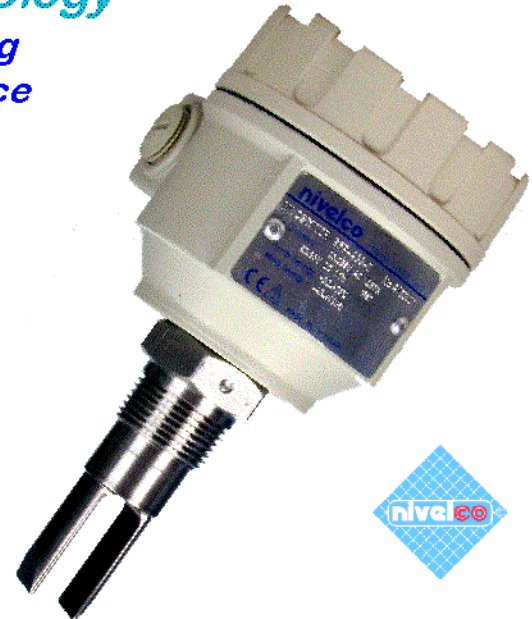
Model RFP-400-0

### **IDEAL FOR:**

- ◆ Chemicals
- ◆ Food & Beverages
- ◆ OEM's
- ◆ Plastics
- ◆ Power Generation
- ◆ Petrochemicals
- ◆ Pulp & Paper
- ◆ Water Treatment

### ADVANTAGES

Easy Installation  
Maintenance Free  
Fine Polished Sensor  
Standard 1" NPT Mounting  
Status Indication (Bi-color LED)  
Dielectric Change Insensitive  
Compact Rugged Construction



The **HiTECH Intelligent NivoSwitch™** is a mechanical resonance system; excited, and kept in resonance by the electronic circuitry.

When the material level reaches the vibrating tines, it changes the vibration. This change is sensed by the electronic circuit; which activates the output.

Unaffected by viscosity, foam, dielectric, conductivity, suspended solids, bubbles and/or turbulence, the **NivoSwitch™** is ideal for a variety of liquids, free flowing solids or powder level applications, including: run-dry protection, vessel overflow, and fill/dump control.



**HiTECH** Technologies, Inc.

301 Oxford Valley Road, Yardley, PA 19067-7706

Technical support: 800. 755. 4507

Tel: 215. 321. 6012 Fax: 215. 321. 6067 - [www.hitechtech.com](http://www.hitechtech.com)

# HITECH

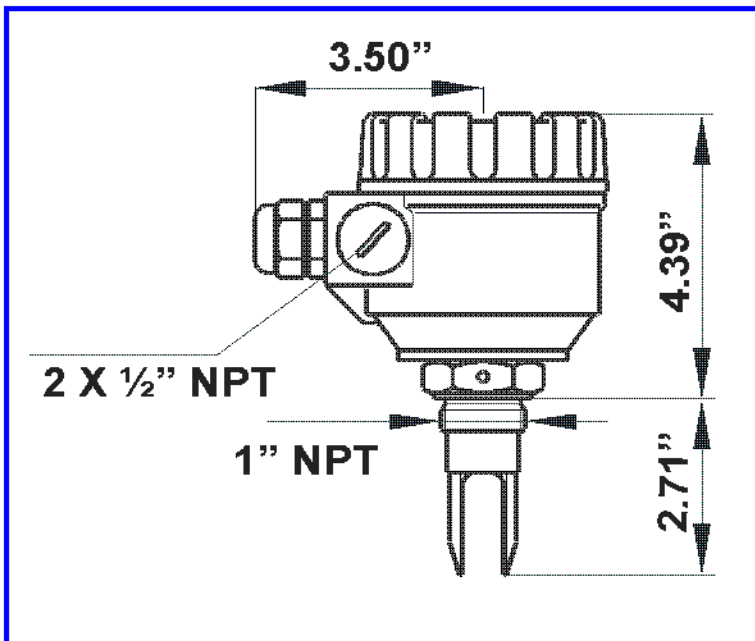
Technologies, Inc.

## NivoSwitch Intelligent SHORTIE Level Switch

### SPECIFICATIONS

Model RFP-400-0

<b>Type</b> Vibration Sensing Technology point level switch	<b>Output</b> SPDT contacts, 8A, 250 VAC	<b>Sensor</b> 316 Stainless steel 1" NPT mounting
<b>Repeatability</b> ± 0.04 inches	<b>Power Supply</b> AC: 20 ... 255 V DC: 20 ... 60 V	<b>Temperature</b> Media - 40 to +266 °F Ambient - 40 to +158 °F
<b>Response Time</b> Immersed      0.5 secs. Free            < 1 sec.	<b>Housing</b> Cast Aluminum NEMA 4	<b>Pressure</b> Up to 362 psi
<b>Output Mode Indicator</b> Bi-color LED		



### PERFORMANCE GUARANTEE

Since 1986, every instrument sold by **HITECH** has been guaranteed to perform in the application it originally was engineered and recommended for. Our company policy remains the same, every product sold comes with a written performance guarantee.

Should the equipment be unable to perform satisfactorily in your application and we are not able to correct the problem, we will accept the instrument in return and issue full credit.

This performance guarantee is valid for 60 days. Thereafter, our standard limited two years factory warranty goes into effect.

Copyright HITECH Technologies, Inc. 2000

**HITECH** Technologies, Inc.

301 Oxford Valley Road, Yardley, PA 19067-7706

Technical support: 800. 755. 4507

Tel: 215. 321. 6012 Fax: 215. 321. 6067 - [www.hitechtech.com](http://www.hitechtech.com)