



# UNICONT

LOOP INDICATOR



PDF-401 / PDF-501



PLK-501

- ◆ 4 ... 20 mA input
- ◆ HART converter
- ◆ 4 or 6 digit display, scalable
- ◆ IP 67
- ◆ ATEX certified versions

## ABOUT UNICONT

UNICONT series is the universally scalable process value indicator of NIVELCO for current loops, most of them without the need for power supply.

Depending on their installation there are two different types of them:

- Plug-in display with connection according to the standard DIN 43650,
- Field indicator for installation on wall or mounting plate

PLK-501 plug in display can be connected to the 2-wire transmitters with its DIN 43650 socket, such as NIPRESS pressure/level gauge and MicroTREK radar level transmitter. The UNICONT PLK-501 has 4 digit LED display and both ordinary and ATEX certified versions are available.

The UNICONT PDF- units are digital, field process indicators with 6 digit LCD display as well as transmitters, converting analogue current to HART signal. They are suitable for the use in hazardous areas in their ATEX certified EEx ia and EEx d versions. Models with HART converter require power supply.

## APPLICATION

Process indicators find their use where besides displaying process value no control function, such as switching ON/OFF pressure control, etc. is needed. For application in hazardous areas Zener barrier or duly certified power supply/isolator should be used.

## TECHNICAL DATA

### FIELD DISPLAY

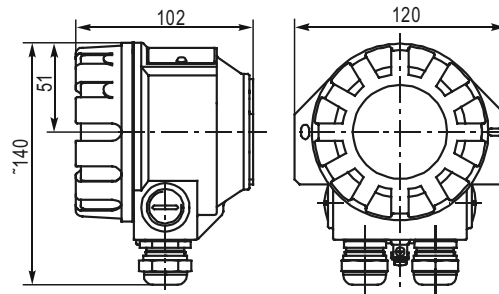
TYPE	PDF-401-6 Ex, PDF-501-6 Ex 2-wire	P□F-401-8 Ex, P□F-501-8 Ex 4-wire
Input	4 ... 20 mA	0/4 ... 20 mA
Power supply	-	9 ... 36 V DC
Voltage drop	Min 5,2 V max 6,5 V	
Display	6-digit LCD, engineering units and bargraph	
Output	-	4 ... 20 mA / HART
Ambient temperature	-25 °C ... +60 °C	W/o display: -40 °C ... +70 °C With display: -25 °C ... +60 °C
Ex marking	⊕ II 2 G EEx ia IIC T6 / ⊕ II G EEx d IIB T6	
Intrinsic safety data	U <sub>max</sub> = 30 V I <sub>max</sub> = 140 mA P <sub>max</sub> = 1,0 W C <sub>i</sub> < 20 nF L <sub>i</sub> < 200 μH	
Electric protection	Class III	
Ingress protection	IP 67	
Electric connection	Outer diameter of the cable: Ø 6 ... Ø 12 mm for M 20 x 1,5 conduit wire cross section maximum 1,5 mm <sup>2</sup>	
Housing	Paint coated aluminium (6AlSi12) or plastic (VALOX 412)	
Mass	Unit with aluminium housing: appr. 0,9 kg Unit with plastic housing: appr. 0,55 kg	

### PLUG-IN DISPLAY

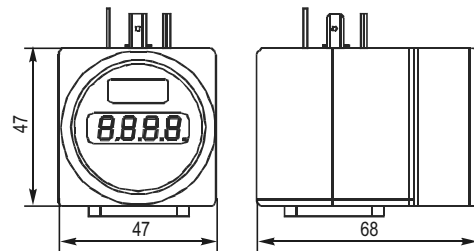
TYPE	PLK-501-2, PLK-501-6 Ex
Input	4 ... 20 mA
Input resistance	150 ohm
Display	4-digit LED of 7,6 mm height
Ambient temperature	0 °C ... +70 °C
Ex marking	⊕ II (1)2 G EEx ia IIC T4
Intrinsic safety data	U <sub>max</sub> = 28 V DC I <sub>max</sub> = 93 mA P <sub>max</sub> = 660 mW
Electric protection	Class III
Ingress protection	IP 65
Electric connection	According to DIN 43650
Electric housing	plastic
Mass	~ 0,1 kg

## DIMENSIONS

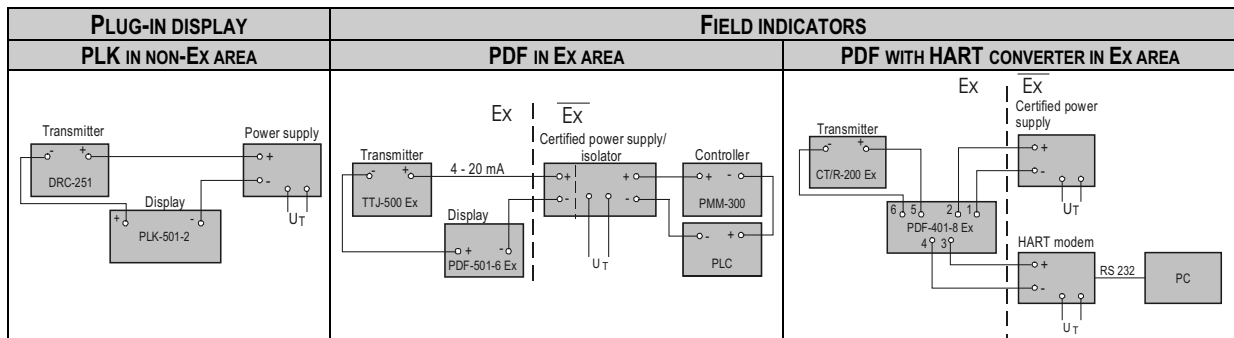
### PDF-401, PDF-501



### PLK-501



## APPLICATION EXAMPLES



## ORDER CODE (Not all combination possible)

UNICONT P   -  0 1 -

TYPE	CODE	INSTALLATION	CODE	HOUSING	CODE	VERSION	CODE
With LCD display	D	Wall, mounting plate	F	Aluminium	4	Ordinary	2
Without display	T	Plug-in	K	Plastic	5	Ordinary + HART	4
With LED display	L					<b>EX VERSION</b>	
						EEx ia	6
						EEx ia / HART	8
						EEx d	A
						EEx d / HART	B
						EEx d + EEx ia	C
						EEx d + EEx ia / HART	D