

HiTECH

Technologies, Inc.

Two-Wire Loop Powered DIGITAL FIELD METER

Loop-Powered Two-Wire

Model PDF

Built-in HART Converter

**IDEAL field indicator for
the Process Industries:**

- ◆ **Bio-Tech**
- ◆ **Chemicals**
- ◆ **Food Processing**
- ◆ **Petro-chemicals**
- ◆ **Petroleum**
- ◆ **Pharmaceuticals**
- ◆ **Power Plants**
- ◆ **Pulp & Paper**
- ◆ **Water & Wastewater**



ADVANTAGES

Process Field Indicator
Two-wire Operation
4-20 mA Input
HART Converter
4 or 6 Digit Indication
Scaleable LCD Display
Heavy Duty Enclosure
ATEX Certified Versions

UNICONT PDF series is a universally scalable process value indicator for current loops, most of them without the need for power supply.

Depending on their installation there are two different types:

- **Plug-in display with connection according to the standard DIN 43650,**
- **Field indicator for installation on wall or mounting plate**

The UNICONT PDF units are digital, field process indicators with 6 digit LCD display as well as transmitters, converting analogue current to HART signal. They are suitable for the use in hazardous areas in their ATEX certified EEx ia and EEx d versions. Models with HART converter require power supply.



HiTECH Technologies, Inc.

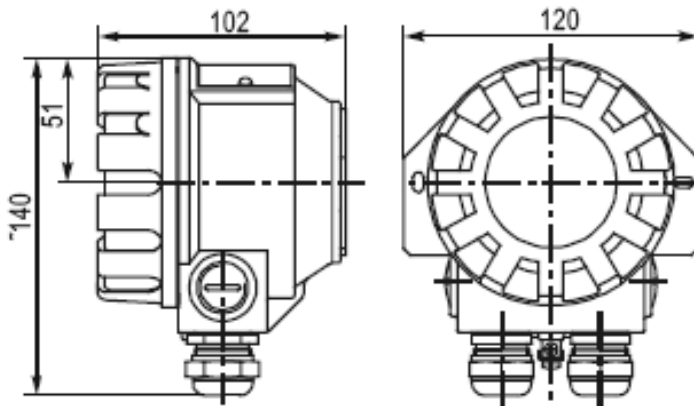
301 Oxford Valley Road, Yardley, PA 19067-7706

Technical support: 800. 755. 4507

Tel: 215. 321. 6012 ~ Fax: 215. 321. 6067 ~ www.hitechtech.com

SPECIFICATIONS

| TYPE | PDF-401-6 Ex, PDF-501-6 Ex 2-wire | P□F-401-8 Ex, P□F-501-8 Ex 4-wire |
|-----------------------|---|---|
| Input | 4 ... 20 mA | 0/4 ... 20 mA |
| Power supply | - | 9 ... 36 V DC |
| Voltage drop | Min 5,2 V max 6,5 V | |
| Display | 6-digit LCD, engineering units and bargraph | |
| Output | - | 4 ... 20 mA / HART |
| Ambient temperature | -25 °C ... +60 °C | W/o display: -40 °C ... +70 °C With display: -25 °C ... +60 °C |
| Ex marking |  II 2 G EEx ia IIC T6 /  II G EEx d IIB T6 | |
| Intrinsic safety data | $U_{max} = 30 \text{ V}$ $I_{max} = 140 \text{ mA}$ $P_{max} = 1,0 \text{ W}$ $C_i < 20 \text{ nF}$ $L_i < 200 \text{ } \mu\text{H}$ | |
| Electric protection | Class III | |
| Ingress protection | IP 67 | |
| Electric connection | Outer diameter of the cable: $\varnothing 6 \dots \varnothing 12 \text{ mm}$ for M 20 x 1,5 conduit wire cross section maximum 1,5 mm ² | |
| Housing | Paint coated aluminium (6061) or plastic (VALOX 412) | |
| Mass | Unit with aluminium housing: appr. 0,9 kg Unit with plastic housing: appr. 0,55 kg | |



PERFORMANCE GUARANTEE

Since 1986, every instrument sold by **HITECH** has been guaranteed to perform in the application it originally was engineered and recommended for. Our company policy remains the same, every product sold comes with a **written performance guarantee**.

Should the equipment be unable to perform satisfactorily in your application and we are not able to correct the problem, we will accept the instrument in return and issue full credit.

This performance guarantee is valid for 60 days. Thereafter, our standard limited two years factory warranty goes into effect.