

HiTECH
Technologies, Inc.

NIVOTRACK

Flexible Magnetostrictive
Two-Wire Level Transmitter

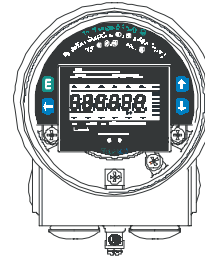
Magnetostrictive Technology

Model MTN-300

HIGH ACCURACY $\pm 0.04''$
at an
AFFORDABLE PRICE

APPLICATIONS

- Free Flowing Liquids
- Flammable
fluids & solvents
- Foaming Liquids
- Liquids with Dense Vapors



The NIVOTRACK Flexible Magnetostrictive Level Transmitter

utilizes a float with an internal magnetic disc that precisely tracks the level by moving along a flexible guide tube (containing a magnetostrictive wire) that is submerged in the liquid.

A pulse generated by the electronics travels along the magnetostrictive wire.

The pulse is reflected from a torsion point, at a twist in the wire that develops as a result of the float's magnetic field. The reflected wave travels back along the wire.

The 4...20 mA output of the transmitter is proportional to the elapsed time between the excitation and detection.

The **NIVOTRACK** level transmitter provides a highly accurate and repeatable measurement under the most hostile environments, and excellent long-term stability and operational reliability.

ADVANTAGES

Flexible Guide Tube

Measurement Range

Up to 33 feet

Two Wire - HART Feature

Plug-In Display Module

Intrinsically Safe Optional

Reverse Polarity Protected

All Wetted Parts Stainless Steel



HiTECH Technologies, Inc.

301 Oxford Valley Road, Yardley, PA 19067-7706

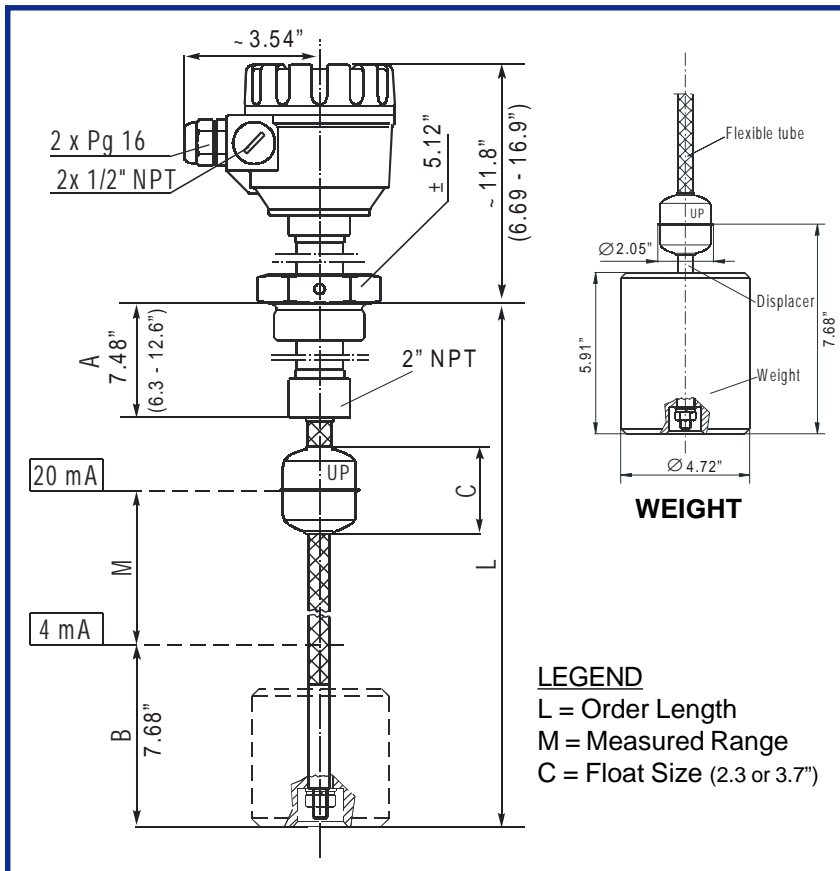
Toll Free: 866-DiLevel or 888-NIVELCO

Tel: 215. 321. 6012 ~ Fax: 215. 321. 6067 ~ www.DrLevel.com

Copyright HiTECH Technologies, Inc. 2003

SPECIFICATIONS

| | | |
|---|--|---|
| Type Magnetostrictive Technology | Output Signal 4 to 20 mA Two-Wire HART interface (option) | Accuracy $\pm 0.04\%$ or $\pm 0.04''$ |
| Measuring Range Up to 33 feet | Intrinsically Safe - ATEX Approved IIIG EEx ia IIB T6 (0.5 ... 5m) IIIG EEx ia IIA T6 (3 ... 10m) | Repeatability $\pm 0.01\%$ or $\pm 0.016''$ |
| Operating Voltage (V_t) 12 to 36 VDC | Operating Temperature Standard Unit -40 to +266 °F Ex Unit -13 to +158 °F | Wetted Parts Stainless Steel |



PERFORMANCE

GUARANTEE

Since 1986, every instrument sold by **HiTECH** has been guaranteed to perform in the application it originally was engineered and recommended for. Our company policy remains the same, every product sold comes with a **written performance guarantee**.

Should the equipment be unable to perform satisfactorily in your application and we are not able to correct the problem, we will accept the instrument in return and issue full credit. This performance guarantee is valid for 60 days. Thereafter, our standard limited two years factory warranty goes into effect.

