

HiTECH

Technologies, Inc.

NIVOTRACK

Magnetostrictive

Level Transmitter

Magnetostrictive Technology

Model MT-200

HIGH ACCURACY ($\pm 0.04''$) at an AFFORDABLE PRICE

APPLICATIONS

- ◆ Free Flowing Liquids
- ◆ Flammable
fluids & solvents
- ◆ Foaming Liquids
- ◆ Liquids with Dense Vapors

ADVANTAGES

Two Wire Loop-Powered

Intrinsically Safe Optional

Leak Proof Construction

Reverse Polarity Protected

Measurement Range

20 inches to 12 feet

All Wetted Parts Stainless Steel



The NIVOTRACK Magnetostrictive Level Transmitter

utilizes a float with an internal magnetic disc that precisely tracks the level by moving along a guide tube (containing a magnetostrictive wire) that is submerged in the liquid.



A pulse generated by the electronics travels along the magnetostrictive wire.

The pulse is reflected from a torsion point, at a twist in the wire that develops as a result of the float's magnetic field. The reflected wave travels back along the wire.

The 4...20 mA output of the transmitter is proportional to the elapsed time between the excitation and detection.

The **NIVOTRACK** level transmitter provides a highly accurate and repeatable measurement under the most hostile environments, and excellent long-term stability and operational reliability.



EEx ia IIC T4...T6



HiTECH Technologies, Inc.

301 Oxford Valley Road, Yardley, PA 19067-7706

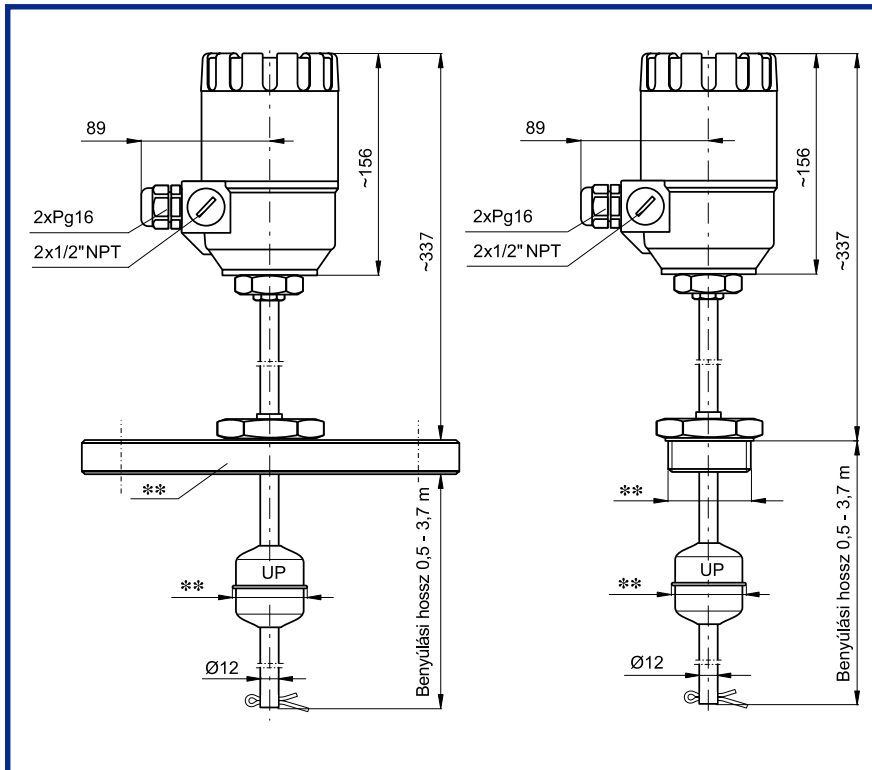
Toll Free: 866-DiLevel or 888-NIVELCO

Tel: 215. 321. 6012 ~ Fax: 215. 321. 6067 ~ www.DrLevel.com

Copyright HiTECH Technologies, Inc.2002

SPECIFICATIONS

Type Magnetostrictive technology level transmitter	Output Signal 4 to 20 mA Two-Wire	Wetted Parts Stainless Steel
Measuring Range 20 inches to 12 feet	Operating Voltage (V_t) 10.5 to 36 VDC	Accuracy $\pm 0.04\%$ or $\pm 0.04''$
Operating Temperature -40 to +266 °F	Max Load Resistance $R_{max} = \frac{(V_t - 10.5V)}{0.02A}$	Repeatability $\pm 0.01\%$ or $\pm 0.016''$



PERFORMANCE

GUARANTEE

Since 1986, every instrument sold by **HITECH** has been guaranteed to perform in the application it originally was engineered and recommended for. Our company policy remains the same, every product sold comes with a **written performance guarantee**.

Should the equipment be unable to perform satisfactorily in your application and we are not able to correct the problem, we will accept the instrument in return and issue full credit. This performance guarantee is valid for 60 days. Thereafter, our standard limited two years factory warranty goes into effect.

