

HiTECH

Technologies, Inc.

Conducti-Probe™

Multi-Point Flexible Level Probe

Conductivity Sensing Technology

Model CP-1

IDEAL for

Pump Control
Run Dry Protection
Overfill Alarm
Spill/Leak Detection



ADVANTAGES

Easy Installation

Single Entry - Multiple Points

1-1/2" NPT ~ up to 3 points

2" NPT ~ up to 5 points

Rugged Construction

Durable Sensing Probe

Constructed of 316SSTi & ABS

Choice of Cable

Dual Jacket Abrasive Protection

PVC inner and Nylon outer

O. D. ~ 0.178" (4.46 mm) black

Teflon Heavy Duty

O.D. 0.144" (3.67 mm) blue

Maintenance Free

NEM 4X Junction Box

HiTECH's *Conducti-Probe™* is a multi-point conductive liquid level probe utilizing the simplicity and reliability of conductivity sensing technology.

Used with HiTECH's model KRK conductivity module, a small AC signal is applied between a conductive electrode, mounted with its tip located at the point to be detected, and ground.

When the liquid level reaches and touches the electrode a very small AC current flows. The current is sensed by an electronic module that generates a switching signal.

The HiTECH *Conducti-Probe™* is ideal for a variety of conductive liquid level detection applications, including: run-dry protection, tank overfill, and pump control.

HiTECH Technologies, Inc.

301 Oxford Valley Road, Yardley, PA 19067-7706

Technical support: 800. 755. 4507

Tel: 215. 321. 6012 ~ Fax: 215. 321. 6067 ~ www.hitechtech.com

SPECIFICATIONS

Type

Conductivity Sensing Technology conductive multi-point liquid level

Head

NEMA 4X PVC Epoxy Filled

Cables ~ Choice of:

Dual Jacketed for Abrasion Protection
PVC inner with Nylon outer jacket
O. D. ~ 0.178" (4.46 mm) black
Teflon - Heavy Duty
O.D. ~ 0.144" (3.67 mm) blue

Sensor

Durable ABS and 316 SSTi

Probe Voltage*

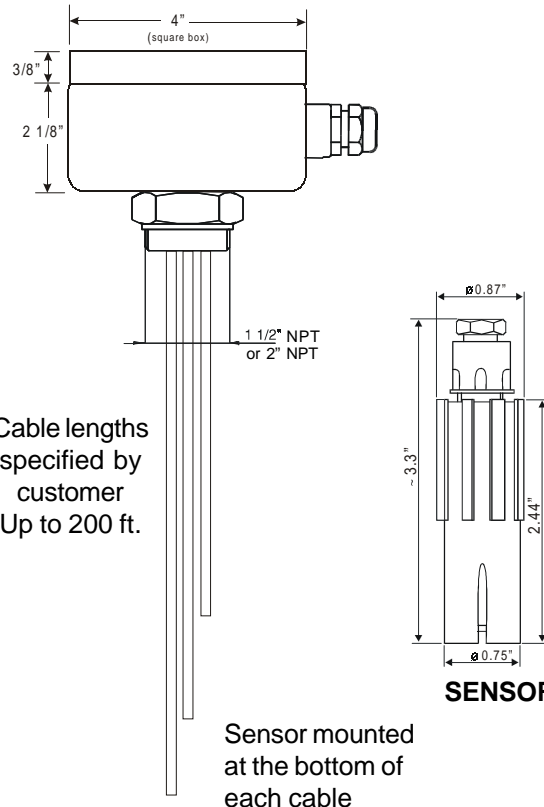
18 VAC

Probe Current*

0.3 mA....1 mA

* When used with HiTECH ConductiSwitch™ model KRK/KSK

DIMENSIONS



PERFORMANCE GUARANTEE

Since 1986, every instrument sold by **HiTECH** has been guaranteed to perform in the application it originally was engineered and recommended for. Our company policy remains the same, every product sold comes with a **written performance guarantee**.

Should the equipment be unable to perform satisfactorily in your application and we are not able to correct the problem, we will accept the instrument in return and issue full credit.

This performance guarantee is valid for 60 days. Thereafter, our standard limited two years factory warranty goes into effect.