

HiTECH

Technologies, Inc.

NivoSwitch Intelligent SHORTIE Level Switch

Intelligent Vibration Sensing Technology

*combines frequency & amplitude sensing
for delivering unprecedented performance*

Model RFP-401-0

IDEAL FOR:

- ◆ Chemicals
- ◆ Food & Beverages
- ◆ OEM's
- ◆ Plastics
- ◆ Power Generation
- ◆ Petrochemicals
- ◆ Pulp & Paper
- ◆ Water Treatment



The **HiTECH Intelligent NivoSwitch™** is a mechanical resonance system; excited, and kept in resonance by the electronic circuitry.

When the material level reaches the vibrating tines, it changes the vibration. This change is sensed by the electronic circuit; which activates the output.

Unaffected by viscosity, foam, dielectric, conductivity, suspended solids, bubbles and/or turbulence, the **NivoSwitch™** is ideal for a variety of liquids, free flowing solids or powder level applications, including: run-dry protection, vessel overflow, and fill/dump control.

ADVANTAGES

- Easy Installation
- Maintenance Free
- Fine Polished Sensor
- Standard 1" NPT Mounting
- Status Indication (Bi-color LED)
- Dielectric Change Insensitive
- Compact Rugged Construction



HiTECH Technologies, Inc.

301 Oxford Valley Road, Yardley, PA 19067-7706

Technical support: 800. 755. 4507

Tel: 215. 321. 6012 Fax: 215. 321. 6067 - www.hitechtech.com

HITECH

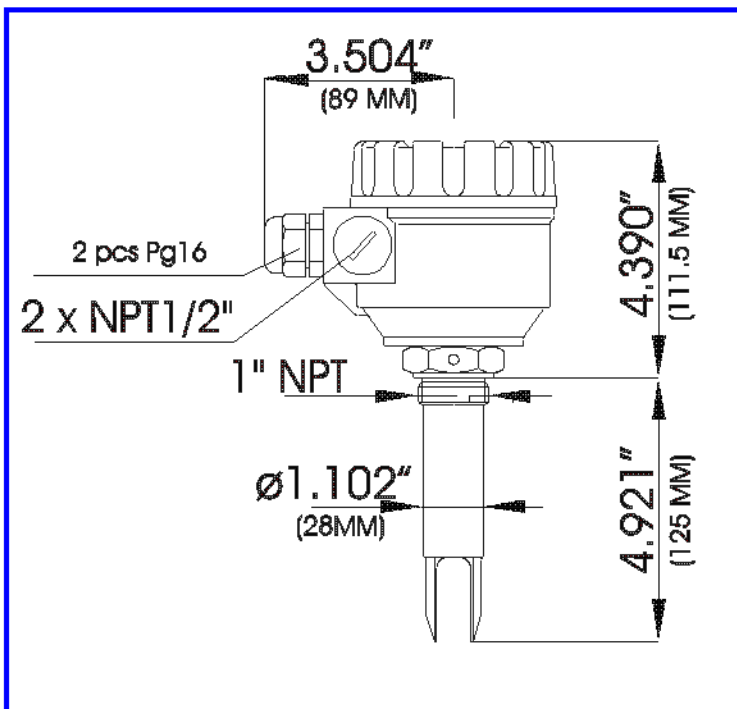
Technologies, Inc.

NivoSwitch Intelligent SHORTIE Level Switch

SPECIFICATIONS

Model RFP-401-0

| | | |
|---|--|--|
| Type Vibration Sensing Technology point level switch | Output SPDT contacts, 8A, 250 VAC | Sensor 316 Stainless steel 1" NPT mounting |
| Repeatability ± 0.04 inches | Power Supply AC: 20 ... 255 V DC: 20 ... 60 V | Temperature Media - 40 to +266 °F Ambient - 40 to +158 °F |
| Response Time Immersed 0.5 secs. Free < 1 sec. | Housing Cast Aluminum NEMA 4 | Pressure Up to 362 psi |
| Output Mode Indicator Bi-color LED | | |



PERFORMANCE GUARANTEE

Since 1986, every instrument sold by **HITECH** has been guaranteed to perform in the application it originally was engineered and recommended for. Our company policy remains the same, every product sold comes with a written performance guarantee.

Should the equipment be unable to perform satisfactorily in your application and we are not able to correct the problem, we will accept the instrument in return and issue full credit.

This performance guarantee is valid for 60 days. Thereafter, our standard limited two years factory warranty goes into effect.

HITECH Technologies, Inc.

301 Oxford Valley Road, Yardley, PA 19067-7706

Technical support: 800. 755. 4507

Tel: 215. 321. 6012 Fax: 215. 321. 6067 - www.hitechtech.com

Copyright HITECH Technologies, Inc. 2003