

# **HiTECH**

Technologies, Inc.

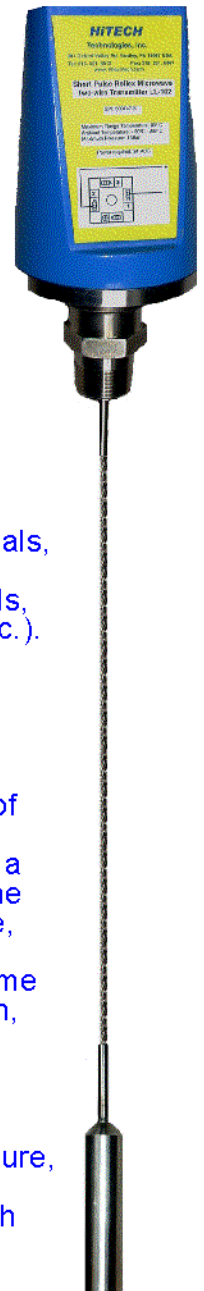
## **Short Pulse Guided RADAR Level Transmitter**

*Guided RADAR Sensing Technology*

Model LL102

### **IDEAL FOR Liquids or Solids**

**Cement & Limestone  
Flyash & Alumina  
Highly Viscose Liquids  
Light Powders  
Plastic Pellets  
Plastic Powder**



### **ADVANTAGES**

- Measuring range up to 200 feet
- Sensors with digital data transmission
- Unaffected by product parameters such as:  
density, conductivity, dielectric constant  
etc.
- Unaffected by application environment such  
as: dust and noise generation, humidity  
change, varying medium, build-up, etc.
- Calibrate without changing the level
  - NO empty & fill required
- Low wiring costs using BUS systems
- Calibrate from PC using software
- Adjustable with HART Handheld

**HiTECH's** Short Pulse Guided Radar level transmitters are the ideal solution for particularly difficult level measurements in liquids (e.g. waste, petrochemicals, solvents, chemicals, etc.) and solids (e.g. lime, cement, cereals, plastic granules, flour, gravel etc.).

Based on the time domain reflectometry principle, this is a well-known technique in the continuity measurement of communication cables. Pulses of low power microwaves (nano-seconds), are sent along a conductor. At the point where the waves meet the product surface, the product reflects the waves. The instrument measures the time between emission and reception, which is proportional to the distance.

Measurement is unaffected by variations in temperature, pressure, dielectric constant, or tank form and dust, vapor, foam etc..., with low dielectric constant, will not affect the level measurement either.

**HiTECH** Technologies, Inc.

301 Oxford Valley Road, Yardley, PA 19067-7706

Technical support: 800. 755. 4507

Tel: 215. 321. 6012 Fax: 215. 321. 6067 - [www.hitechtech.com](http://www.hitechtech.com)

# HITECH

Technologies, Inc.

## Short Pulse Guided REFLEX Microwave Level Transmitter

### SPECIFICATIONS

Model LL102

#### Type

Short Pulse Guided RADAR  
Level Transmitter

#### Adjustment

PC with PC Star software  
HART hand-held terminal

#### Materials

Housing: Epoxy coated Aluminum  
Cable: 316 Stainless Steel

#### Measurement Range

0.3 to 200 feet

#### Process Temperature

-58 F to + 298 F

#### Mounting

1" NPT  
Standard Flange(option)

#### Accuracy 0.1%

Resolution 1mm

Drift 0.01% C

#### Output Signal

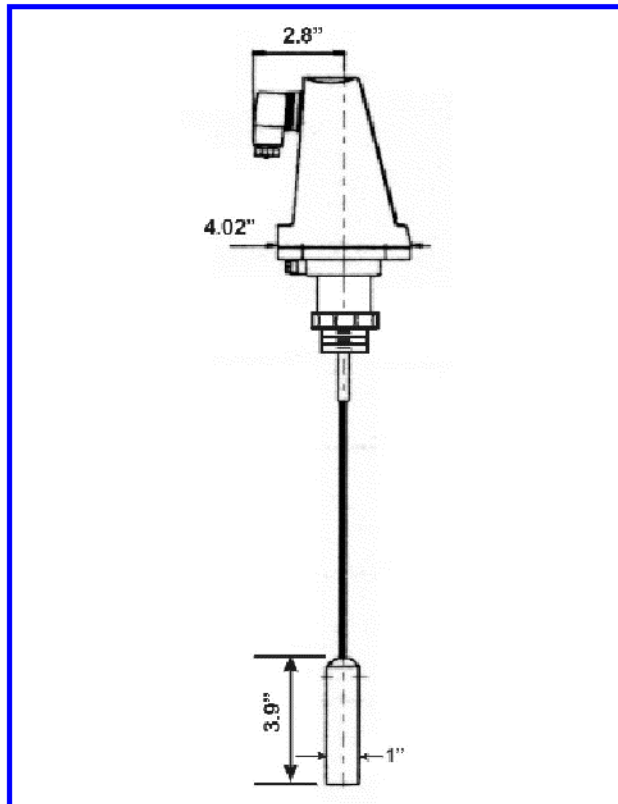
4 - 20mA

w/ digital(optional)

#### Power Supply

24V AC/DC or

100 to 230 V AC



### PERFORMANCE GUARANTEE

Since 1986, every instrument sold by **HITECH** has been guaranteed to perform in the application it originally was engineered and recommended for. Our company policy remains the same, every product sold comes with a written performance guarantee.

Should the equipment be unable to perform satisfactorily in your application and we are not able to correct the problem, we will accept the instrument in return and issue full credit.

This performance guarantee is valid for 60 days. Thereafter, our standard limited two years factory warranty goes into effect.



Copyright HITECH Technologies, Inc. 2001

**HITECH** Technologies, Inc.

301 Oxford Valley Road, Yardley, PA 19067-7706

Technical support: 800. 755. 4507

Tel: 215. 321. 6012 Fax: 215. 321. 6067 - [www.hitechtech.com](http://www.hitechtech.com)