

Microwave Solid Flow Switch Non-Contact Flow Switch

Non-Contact, Non-Intrusive Flow Sensing Technology

Model JKD-24

Maximum range 5 feet

Non-contact, non-intrusive point level indication, un-affected by temperature and non-conductive contamination as well as steam, vapors, flames or airborne particles.

With special non-conductive windows this unit will work to indicate presence of moving materials utilizing the Doppler effect.

Can also be used to detect movement or flow of liquids in PVC pipes, glass or any other pipe manufactured of non-conductive materials.

ADVANTAGES

Small and superior reliability

Range: Standard to 5 feet (1.5 m)
Greater distances possible based on the di-electric properties of the material measured.

Simple setup with sensitivity adjustment

Output: 3 Amp. Internal Relay

Power Consumption: 4 Watts

Supply voltage: 24 VDC +/- 10%

Housing rated NEMA 4 (IP 65)



The HiTECH Microwave point level indication instruments are designed for mobile and stationary solid flow/no flow measurement in harsh industrial environments.

The JKD-24 series utilizes the Johann Christian Doppler effect principle with a microwave.

The flow movement being measured will trip the relay when the flow movement stops. Delay functions can be set for both on and off function within 0 - 10 seconds.

HiTECH Technologies, Inc.

301 Oxford Valley Road, Yardley, PA 19067-7706

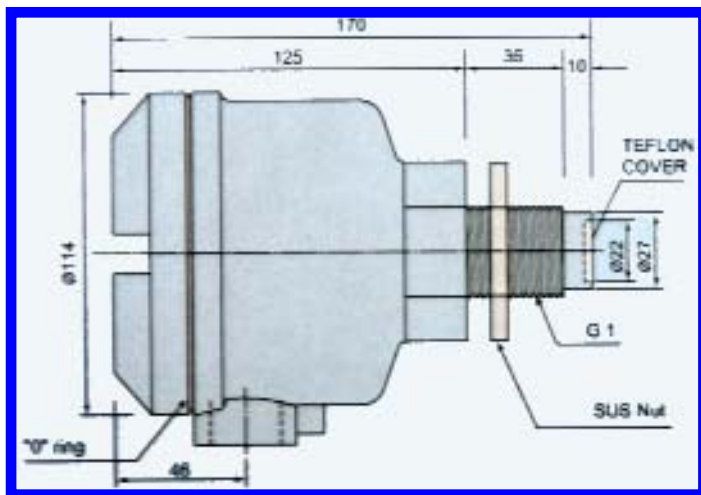
Technical support: 800. 755. 4507

Tel: 215. 321. 6012 Fax: 215. 321. 6067 - www.hitechtech.com

SPECIFICATIONS

Model JKD-24

Measuring range	Actual distance based on the di-electric properties of the material measured 5 feet (1.5 m)
Repeatability	± 1.0" (± 25.4 mm) under controlled conditions
Measuring frequency	24 GHz
Operating temperature	Electronics: + 14°F (- 10°C) up to +130°F (+55°C) Beam: Unlimited
Storage temperature	- 4°F (- 20°C) up to + 158°F (+70°C)
Relay output	3.0 Amps @ 250 VAC.
Frequency	24.2 GHz
Delay function	Hold-on delay 0 - 10 seconds adjustable Hold-off delay 0 - 10 seconds adjustable
Supply voltage	24 V DC. +- 10%
Enclosure	Aluminum NEMA 4 (IP 65)
Dimensions approx.	6.5" x 4.5" x 4.97" (170 x 110 x 125 mm) L x W x H i
Weight approx.	2.65 pounds (1,200 g)
Mounting	1" hole required, locknut included.
Noise tolerance	Square wave, noise from noise simulator. Rising time 1 nanosecond. Width 1 mixrosecond.



Copyright HiTECH Technologies, Inc. 2004

PERFORMANCE GUARANTEE

Since 1986, every instrument sold by *HiTECH* has been guaranteed to perform in the application it originally was engineered and recommended for. Our company policy remains the same, every product sold comes with a written performance guarantee.

Should the equipment be unable to perform satisfactorily in your application and we are not able to correct the problem, we will accept the instrument in return and issue full credit.

This performance guarantee is valid for 60 days. Thereafter, our standard limited two years factory warranty goes into effect.