

HiTECH

Technologies, Inc.

Low Cost "SMART" Radar Level Transmitter

Pulse Radar Sensing Technology

Model LCR-100

IDEAL FOR:

- ◆ Chemicals
- ◆ Corrosive Liquids
- ◆ Food & Beverages
- ◆ OEM's
- ◆ Pharmaceuticals
- ◆ Power Generation
- ◆ Pulp & Paper
- ◆ Water Treatment

ADVANTAGES

Simple push-button calibration

Ranges up to 100'

Easy to Install

Output 4 - 20 mA

Optional RS232or RS485

PLC Compatible

Modbus RTU

Maintenance Free

No Contact with Process

Compact Rugged Construction

NEMA 4 Enclosure

Three or Four Wire Available



PULSE RADAR is ideal for continuous level measurement on vessels with difficult geometries or small openings.

Designed for harsh process control environments, the unit is a low-cost, smart, PULSE radar level transmitter.

The unit transmits microwave pulses toward the surface of the level to be measured, which then reflects the pulse back to the antenna.

The transit time of the reflected pulse is measured and the microprocessor accurately computes and transmits the level output signal.

HiTECH Technologies, Inc.

301 Oxford Valley Road, Yardley, PA 19067-7706

Technical support: 800. 755. 4507

Tel: 215. 321. 6012 Fax: 215. 321. 6067 - www.hitechtech.com

HITECH

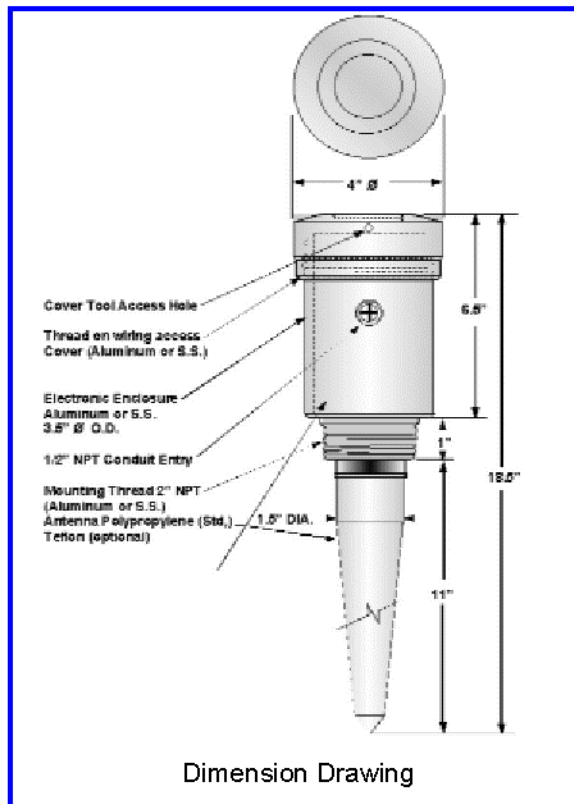
Technologies, Inc.

Low Cost "SMART" Radar Level Transmitter

SPECIFICATIONS

Model LCR-100

Type Pulse Radar Sensing Technology	Output 4 - 20 mA RS232 or RS485 optional	Sensor Antenna: Dielectric rod Material: Polypropylene Mounting: 2" NPT
Accuracy ± 0.25%	Power Supply DC: 13 ... 30 V AC: 115 VAC 60 HZ ± 20% 230 VAC 50 HZ ± 20%	Temperature Media -40 to + 190 °F Ambient -40 to + 140 °F
Frequency 6.3 GHZ	Housing Stainless Steel NEMA 4	Pressure 15 to 150 psi
Transmitter power 50 microwatts average		



PERFORMANCE GUARANTEE

Since 1986, every instrument sold by **HITECH** has been guaranteed to perform in the application it originally was engineered and recommended for. Our company policy remains the same, every product sold comes with a written performance guarantee.

Should the equipment be unable to perform satisfactorily in your application and we are not able to correct the problem, we will accept the instrument in return and issue full credit.

This performance guarantee is valid for 60 days. Thereafter, our standard limited two years factory warranty goes into effect.

HITECH Technologies, Inc.

301 Oxford Valley Road, Yardley, PA 19067-7706

Technical support: 800. 755. 4507

Tel: 215. 321. 6012 Fax: 215. 321. 6067 - www.hitechtech.com

Copyright HITECH Technologies, Inc. 2003